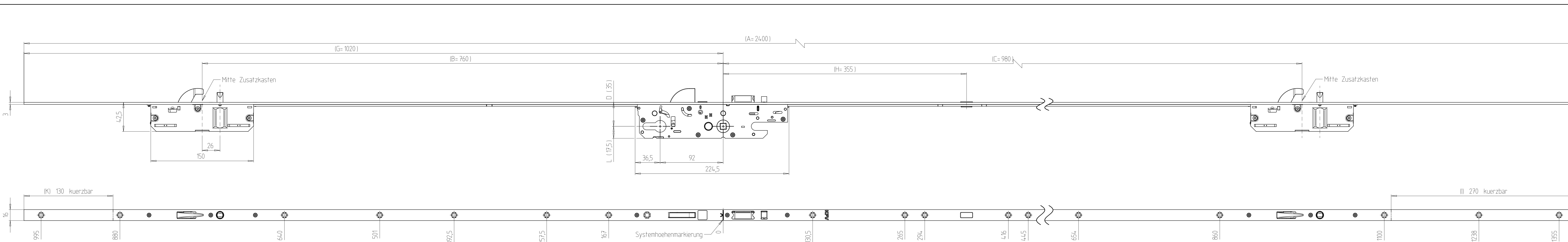


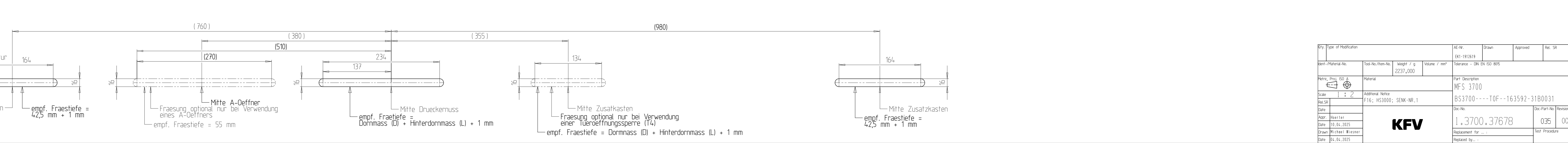
The drawing and its contents are to be kept secret! from third parties, particularly competitors. The drawing and documents which go with it are not to be duplicated either in total or extract, or used in other documentation without express approval. ISO and 3rd Party A reservation of rights in accordance with §2 PatG is declared for the event that a patent is granted.



Schlossaufnahmetaschen (M 1:3)  
 Taschen mit Fraeser  $\varnothing$  16 mm fuer Haupt- und Zusatzschlosskasten am Tuerblatt herstellen.

Bohrungen fuer Druockergarnitur anbringen. Verwenden Sie dazu die Angaben bzw. Schablonen des Herstellers der Druockergarnitur

**ACHTUNG:**  
 Abweichende Fraestiefen bei Sonderkonstruktionen und/oder Profilstulpen bitte anhand der Profilzeichnung ermitteln.



Qty.	Type of Modification	AE-Nr.	Drawn	Approved	Rel. SR	Date
		EK1-1912619				
Ident./Material-No.	Tool-No./Item-No.	Weight / g	Volume / mm <sup>3</sup>	Tolerance - DIN EN ISO 8015		
		2237,000				
Metric, Proj. ISO A	Material	Part Description				
		MFS 3700				
Scale	Additional Notice	BS3700----T0F--163592-31B0031				
1 : 2	F16; HS3000; SENK-NR.1					
Rel. SR		Doc-No.	Doc-Part-No.	Revision	Status	Size
		1.3700.37678	035	00	20	U
Date	Appr. Hoerter	Replacement for ... :				
		Test Procedure				
Drawn Michael Wiesner		Replaced by... :				
Date 04.04.2025		Sheet 1/3				

